

Crown Premier

Single Folding Bed

Features

- British made with a lifetime frame guarantee
- Suitable for regular use
- J-TEX™ Sprung base system for durability, support and comfort
- Full depth spring interior mattress
- Exceeds British, European and North American safety standards
- High performance mattress fabric
- Suitable for use in contract environments (e.g. Hotels)
- 30 Stone User weight

Product codes

Folding Bed: 106801 Mattress: 980845

Accreditations

Tested and accredited to British, European and North American safety standards including:

Relating to the Frame

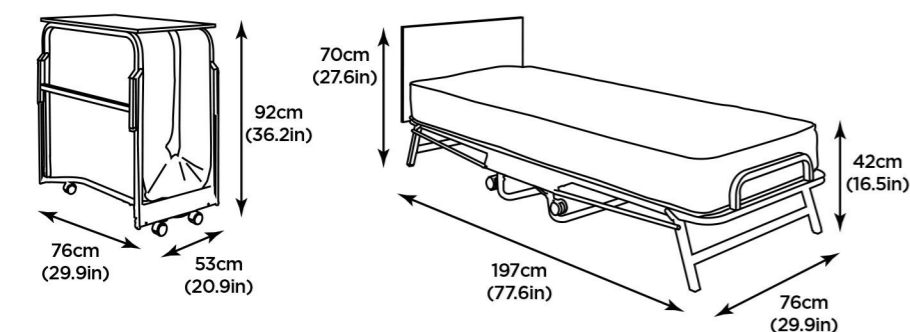
BS EN 1725

Relating to the Mattress

- BS EN 597-1 - FR requirement
- BS EN 597-2 - FR requirement
- BS 6807 - Clause 9 (Source 5) FR requirement
- BS 7177 Contract - FR requirements
- 16 CFR 1633 Standard

Dimensions & Packaging

Packed size: 80 x 54 x 92cm (0.4m³) Weight: 33.45kg / 73.7lb



Bed weight: 30kg / 66lb

Space under bed when open: 21cm (8.3in)

Mattress dimensions: W76cm (29.9in) L190cm (74.8in) D18cm (7.1in)

*Please note all user weights are guidelines only. We strongly advise that you check and assess the product judging its suitability and safety for use, based on your own physical condition.



With J-TEX™ Sprung Base System
*30 Stone User Weight



Suitable for Contract

Specifically designed for regular contract use, this robust JAY-BE® folding bed achieves higher British, European and North American safety standards than normal domestic beds. Built to last, the Crown is a reliable solution for Guest Houses, Hotels and other contract environments. The J-TEX™ base is made from PVC coated woven polyester, a specially engineered technical fabric designed to be stretch resistant and offer long term durability. Suspended using high-tension springs, the J-TEX™ sprung base system is extremely strong and independently tested and proven to perform as well as regular permanent beds.

The Crown's deep sprung mattress is tailored in a high-performance fabric and topped with wool comfort layers. Wool is a natural 'smart' fibre that continually responds to changes in local humidity. Its natural ability to absorb and release moisture helps to keep you and your mattress dry and your body temperature constant. This JAY-BE® guest bed also achieves higher British, European and North American safety standards than normal domestic beds making it suitable for the extra demands of contract use.