

FEATURES

- British made with a lifetime frame guarantee
- Suitable for regular use
- J-TeX™ sprung base system for durability, support and comfort
- Contract mattress
- Exceeds British, European & North American safety standards
- Legs automatically open when unfolded
- 360° castors for easy manoeuvrability

CODE

- 107802 (mattress code: 907802)

ACCREDITATIONS

Tested and accredited to British, European and North American safety standards including:

Relating to the Frame

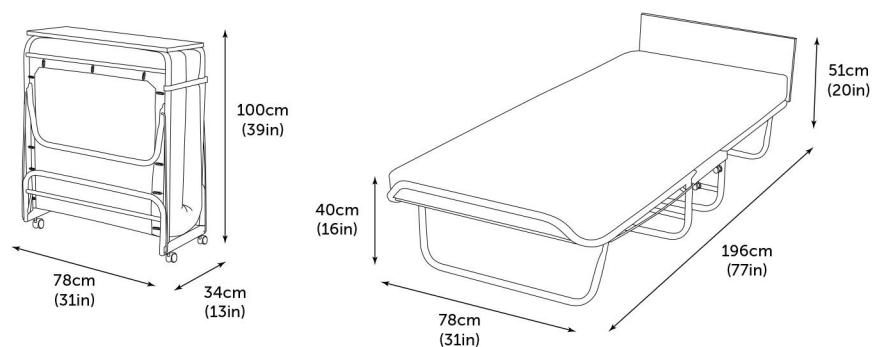
- BS EN 1725

Relating to the Mattress

- BS EN 597-1 - FR requirement
- BS EN 597-2 - FR requirement
- BS 7177 Domestic - FR requirements

DIMENSIONS & PACKAGING

Packed size: 79 x 30 x 94cm (0.22m³) Weight: TBC



Mattress dimensions: W77cm (30in) L191cm (75in) D10cm (4in)

VISITOR FOLDING BED WITH CONTRACT MATTRESS



Guaranteed
upto
25 Stone

Suitable
for Contract

WITH REVOLUTIONARY J-TEX™ SPRUNG BASE

VISITOR FOLDING BED

This convenient JAY-BE® folding bed has a sturdy steel frame which is finished in a high quality, durable epoxy paint finish for a long lasting new look. The headboard is a good resting place for your pillow and 360° castors allow this guest bed to be manoeuvred easily. Fully automatic folding legs open on their own so it is easy to put up in seconds, simply unfold and let the automatic legs do the rest.

The J-TeX™ sprung base system works in harmony with the dual density mattress which combines two layers of Airflow Fibre for exceptional comfort. A soft top layer provides pressure relief and a higher density lower layer offers extra support. The unique open cell structure of the Airflow Fibre fillings also enable the mattress to breathe, ensuring that it stays fresh when stored.